

GENIEMAT® FFNP

Under Screed Resilient Underlayment

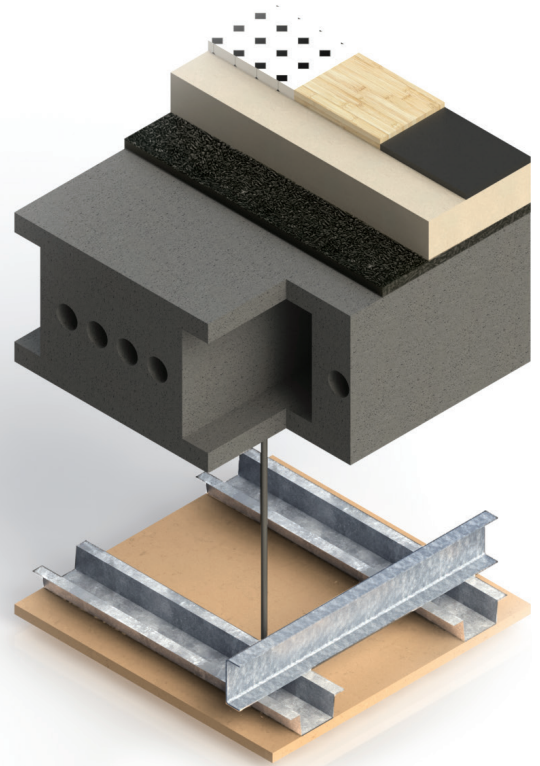
UK EDITION

PRODUCT OVERVIEW

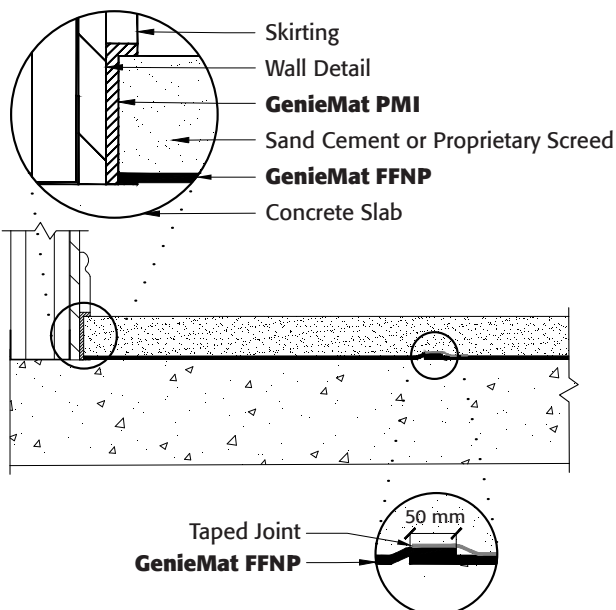


GenieMat FFNP is non profiled resilient underlayment that is used directly under screed in concrete, steel and wood construction, yielding exceptional results for impact sound insulation.

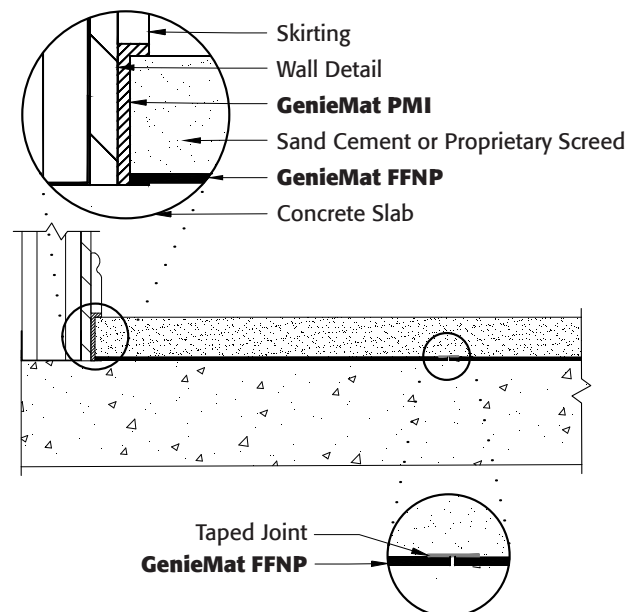
Engineered reduced sound transmission underlay made from 94% recycled rubber content used when sound control is required in residential, education, hospitality, commercial, and healthcare buildings.



Overlap Joint Detail



Butt Joint Detail



SUPERIOR IMPACT ISOLATION PERFORMANCE

| TEST REPORT NUMBER | SCREED TYPE | UNDERLAYMENT | BASE ASSEMBLY | AIRBORNE SOUND INSULATION R_w | IMPACT SOUND INSULATION $L_{n,w}$ |
|-------------------------------|--------------------|------------------------|-----------------|---------------------------------|-----------------------------------|
| A-2014_RO_26-F285/86'-41701_E | Sand Cement Screed | GenieMat FF03NP | 150 mm Concrete | 57 | 55 |
| A-2014_RO_26-F287/88'-41701_E | Sand Cement Screed | GenieMat FF05NP | 150 mm Concrete | 57 | 54 |

TECHNICAL DATA

| | GENIEMAT FF03NP | GENIEMAT FF05NP |
|------------------------------|---|--|
| DIMENSION | Roll Size: 1.22 m wide, 22.84 m long | Roll Size: 1.22 m wide, 9.14 m long |
| THICKNESS | nom. 3 mm (2.5 mm +/- 0.5 mm) | nom. 5 mm |
| ROLL WEIGHT | 60 kg/roll | 43 kg/roll |
| ROLL AREA | 27.87 m ² | 11.15 m ² |
| ROLLS/PALLET | 15 | 20 |
| TYPE A HARDNESS (ASTM D2240) | 40 durometer | 40 durometer |
| TEMPERATURE STABILITY | -40°C to +115°C | -40°C to +115°C |

CONTACT Us

For Your Project Specific Questions

UK +44 203 9846444 | **Middle East** +971 4 813 5501 | **Asia Pacific** +65 8452 6865

E. info@pliteq.co.uk

© Pliteq (UK) LTD. 2020.

[®] Trademarks of Pliteq Inc. The information provided is accurate to the best of our knowledge at the time of issue. However, we reserve the right to make changes when necessary without further notification. Suggested application may need to be modified to conform with local building codes and conditions. We cannot accept responsibility for products that are not used, or installed, to our specifications. All listed dimensions are nominal.



www.pliteq.co.uk